



6 GHz SMA N/O S.P.4 T. Subminiature SWITCH

OPTIONS : SUPP.DIODES TTL DRIVE

R F CHARACTERISTICS

NUMBER OF WAYS : 4
 FREQUENCY RANGE : 0 - 6 GHz
 IMPEDANCE : 50 Ohms

| | | |
|-------------------|---------|---------|
| FREQUENCY (GHz) | 0 - 3 | 3 - 6 |
| V.S.W.R <= | 1.20 | 1.30 |
| INSERT. LOSS <= | 0.20 dB | 0.30 dB |
| ISOLATION >= | 80 dB | 70 dB |
| AVER.POWER (25°C) | 240 W | 170 W |

ELECTRICAL CHARACTERISTICS

ACTUATOR : NORMALLY OPEN
 NOMINAL CURRENT AT 25°C (±10%) : 110 mA
 ACTUATOR VOLTAGE (Vcc) : 28V (21 to 30V) / NEGATIVE COMMON
 TERMINALS : 16 pin double row connector for connecting to 2.54mm pitch female socket wrapping or soldering (250°C max/30 sec)
 TTL INPUTS (E) - High level : 2.2 to 5.5V / 800µA at 5V
 - Low level : 0 to 0.8V / 20µA at 0.8V

MECHANICAL CHARACTERISTICS

CONNECTORS : SMA female per MIL C 39012
 LIFE : 10.000.000 cycles per position
 SWITCHING TIME (nominal voltage;25°C) : < 10 ms
 WEIGHT : < 120 g

ENVIRONMENTAL CHARACTERISTICS

OPERATING TEMPERATURE RANGE (°C) : -40 , +85
 STORAGE TEMPERATURE RANGE (°C) : -55 , +85
 VIBRATION - MIL STD 202, meth.204 : 10 - 2000Hz , 20g (operating)
 SHOCKS - MIL STD 202, meth.213 : 100 g / 6ms / half-sine (operating)

This information is given as an indication. In the continual goal to improve our products, we reserve the right to make any modifications judged necessary

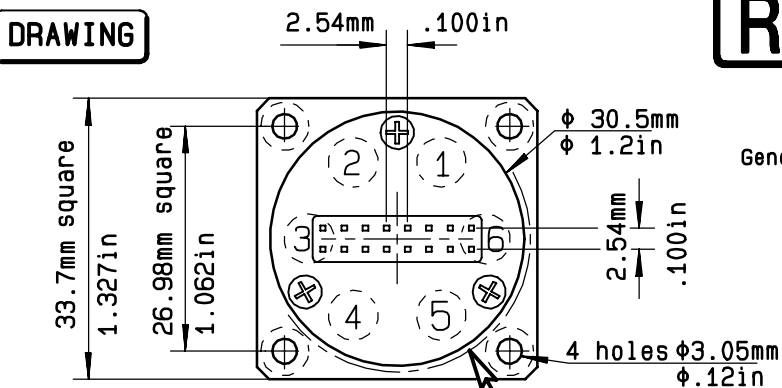
4112-9212

4113-9212 This information is given as an indication. In the continual goal to improve our products, we reserve the right to make any modifications judged necessary

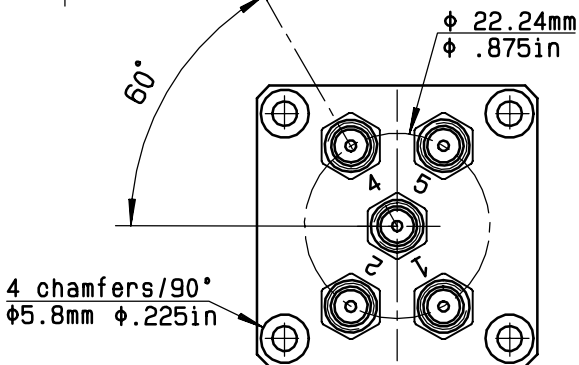
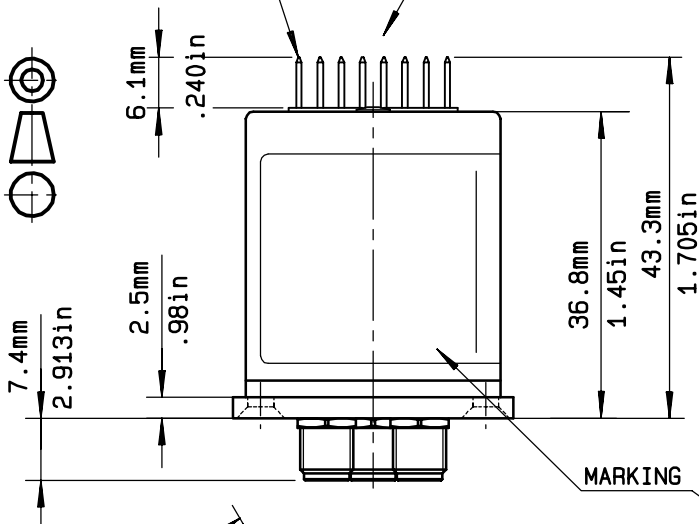
R591.303.420

General tolerance: ± 0,5 mm

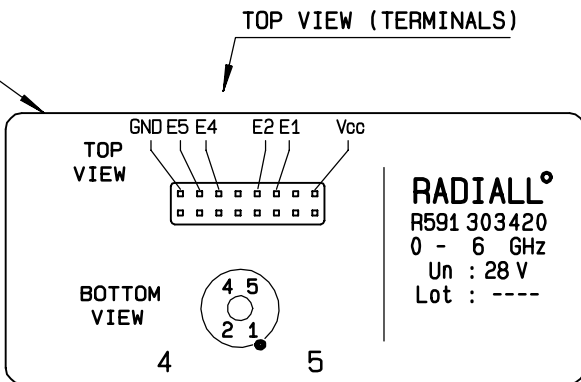
DRAWING



16 pin double row connector
0.64mm (.025in) SQ.
MARKING



| TTL input | RF continuity |
|-----------|---------------|
| E1 = 1 | IN ↔ 1 |
| E2 = 1 | IN ↔ 2 |
| E3 = 1 | IN ↔ 3 |
| E4 = 1 | IN ↔ 4 |



SCHEMATIC DIAGRAM

